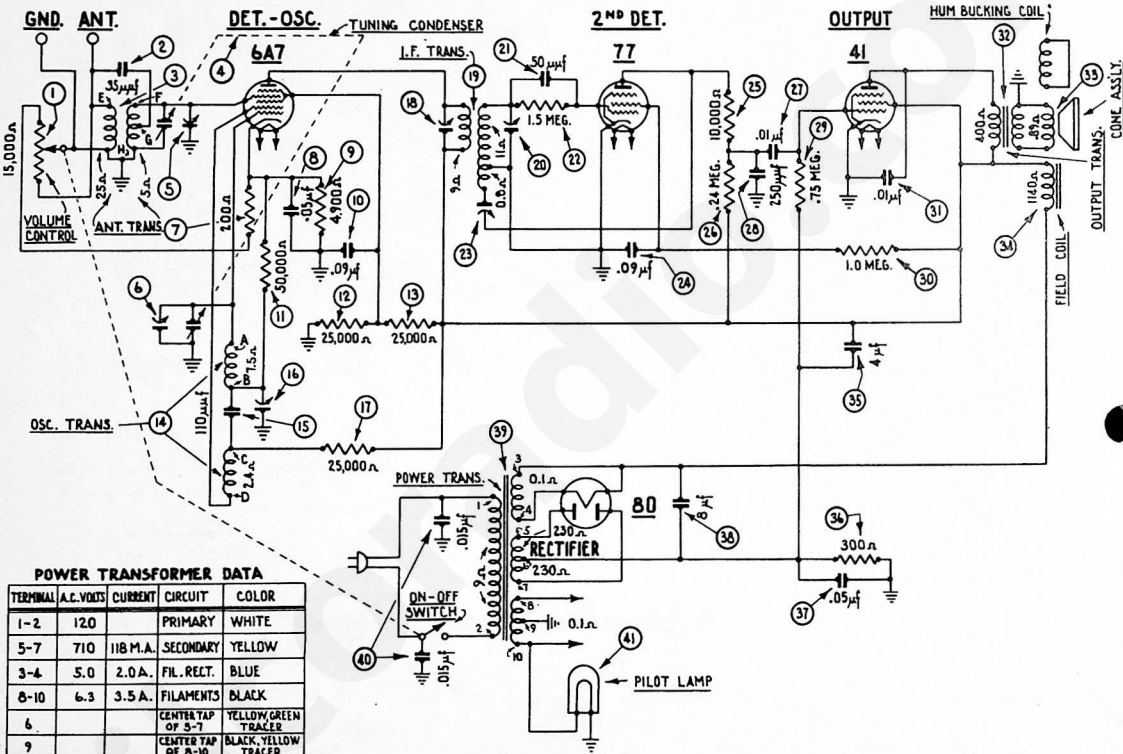
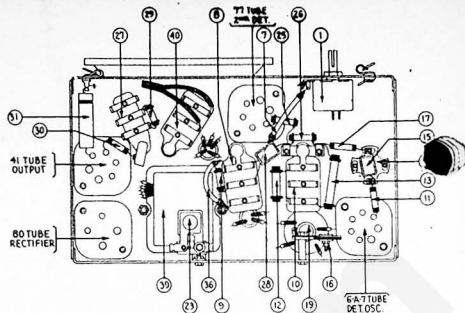


MODEL 600



POWER TRANSFORMER DATA

TERMINAL	A.C. VOLTS	CURRENT	CIRCUIT	COLOR
1-2	120		PRIMARY	WHITE
5-7	710	118 M.A.	SECONDARY	YELLOW
3-4	5.0	2.0 A.	FIL. RECT.	BLUE
8-10	6.3	3.5 A.	FILAMENTS	BLACK
6			CENTER TAP OF 5-7	YELLOW-GREEN TRACER
9			CENTER TAP OF 8-10	BLACK-YELLOW TRACER

Replacement Parts for Model 600

Schematic Number	Part and Description	Part No.
①	Volume Control	33-5152
②	Condenser (35 Mmf. Mica)	30-1044
③	Ant. Transformer	32-2030
④	Tuning Condenser	31-1755
⑤	Compensator (Det. 1500 K.C.)	Part of ②
⑥	Resistor (200 ohm)	Part of ②
⑦	Condenser (.05 mf. Twin Bakelite)	3615-DG
⑧	Resistor (4900 ohm, 1/2 watt)	33-249334
⑨	Condenser (.09 mf. Twin Bakelite)	4989-DG
⑩	Resistor (51,000 ohm, 1/2 watt)	33-351143
⑪	Resistor (25,000 ohm, 1/2 watt)	33-325343
⑫	Resistor (25,000 ohm, 1 watt)	33-325443
⑬	Osc. Transformer	32-2043
⑭	Condenser (110 mmf. Mica)	30-1031
⑮	Compensator (Osc. Series) (600 K.C.)	04000 S
⑯	Resistor (25,000 ohm, 1/2 watt)	33-325343
⑰	Compensator (I.F. Pri) (460 K.C.)	Part of ⑮
⑱	I.F. Transformer	32-2031

Schematic Number	Part and Description	Part No.
⑲	Compensator (I.F. Sec.) (460 K.C.)	Part of ⑮
⑳	Condenser (50 mmf. Mica)	30-1029
㉑	Resistor (1.5 meg., 1/4 watt)	33-515133
㉒	Sensitivity Control	31-6086
㉓	Condenser (.09 mf.)	Part of ⑮
㉔	Resistor (10,000 ohm, 1/4 watt)	33-310133
㉕	Resistor (240,000 ohm, 1/4 watt)	33-424143
㉖	Condenser (.01 mf. Bakelite)	3903-SU
㉗	Condenser (.0025 mf.) (Mica)	30-1032
㉘	Resistor (750,000 ohm, 1/4 watt)	33-475133
㉙	Resistor (1.0 meg., 1/4 watt)	33-510143
㉚	Condenser (.01 mf.) (Tubular)	30-4124
㉛	Output Transformer	32-7041
㉜	Voice Coil Cone Assy.	36-3029
㉝	Field Coil Assy.	36-3593
㉞	Elec. Condenser (4-8. mf.)	30-2149
㉟	Resistor (300 ohm)	33-3121
㊱	Condenser (.05 mf.)	Part of ⑮
㊲	Elec. Condenser (8.0 mf.)	Part of ⑮
㊳	Power Transformer (110 V., 60 Cycle)	32-7552
㊴	Condenser (.015 mf. Twin)	3793-DG
㊵	Pilot Lamp (6.3 Volt)	34-2064

Schematic Number	Part and Description	Part No.
㊶	Power Transformer (230 V., 50-60 Cycle)	32-7554
㊷	Power Transformer (110 V., 25 Cycle)	32-7553
㊸	Tube Shield Body	28-2726
㊹	Tube Shield Base	28-2725
㊺	Tube Socket (6-prong)	27-6016
㊻	Tube Socket (7-prong)	27-6017
㊼	Tube Socket (4-prong)	27-6044
㊽	Volume Control Mtg. Nut	W-648-A
㊾	Chassis Mtg. Screw	W-1587-A
㊿	Chassis Mtg. Nut	W-124-A
1	Chassis Mtg. Washer	W-410-A
2	Chassis Mtg. Washer	W-291-A
3	Baffle	27-8232
4	Dial	27-5179
5	Knob (Station Selector)	27-4302
6	Knob (Volume, On-Off)	27-4273
7	Bottom Shield Assy.	29-3795
8	Bottom Shield Ins.	27-8122
9	Pointer	27-7913
10	Pilot Lamp Bracket Assy.	38-7581
11	Coupling (For Tuning Knob)	28-6426